
TELETASK

trendsetter in domotics

Ref. TDS15200

Daikin software license



Installation manual

Version: October,2008

I. Summary

I. Summary	2
II. Daikin Central Air Conditioner Integration.....	3
1. Introduction Interfacing with Daikin.....	3
2. Disclaimer	3
3. Daikin integration with standard contacts	4
3.1. Daikin SPLIT, TWIN and double-TWIN indoor units	4
3.2. Daikin SKY-AIR indoor units.....	5
4. DAIKIN Integration over IP/LAN	6
4.1. General	6
4.2. What is needed on the DAIKIN side for the integration over IP?	6
4.3. Supported DAIKIN Systems	6
iTouch-Controller connectors on the back	7
iTouch-Controller LAN Connection	8
4.4. For your information-different DAIKIN Systems.....	8
4.5. TELETASK Domotic System and DAIKIN Airco System Overview	9
4.6. Prosoft Suite DAIKIN License Setup	10
5. How to obtain and install the activation code (file).....	10
6. Configuring the DAIKIN functionalities.....	11

II. Daikin Central Air Conditioner Integration

1. Introduction Interfacing with Daikin

Daikin has several systems with different features. Therefore below we give you a short overview of the most important facts. The text was made in close cooperation with Mr. Hendrik Deschildre from Daikin Belgium.

There are two different ways in integrating TELETASK with a DAIKIN system. You can use an output (an on/off relay contact) to switch the involved airco unit or you can fully integrate both systems by connecting over IP (Ethernet). For more details see below in "integration with a standard contact" and "integration over LAN" paragraphs.

2. Disclaimer

The following text and drawings are only of informative character. TELETASK is not responsible for possible changes or incorrect information. Please take contact with your Daikin specialist to check the needed components to control the Daikin installation.

3. Daikin integration with standard contacts

3.1. Daikin SPLIT, TWIN and double-TWIN indoor units

These systems are specially made for private homes. You can obtain a simple coupling with a SPLIT, TWIN and double-TWIN system by using a Daikin interface PCB (Printed Circuit Board) which can be plugged into an indoor unit.

Daikin order ref. for this PCB: KRP-413.

One PCB per indoor unit is needed for this type of control.

The SPLIT consists of 1 outdoor and 1 indoor unit.

The MULTI-SPLIT contains 1 outdoor unit and several indoor units.

Each indoor unit can be separately controlled by its own KRP-413 PCB.

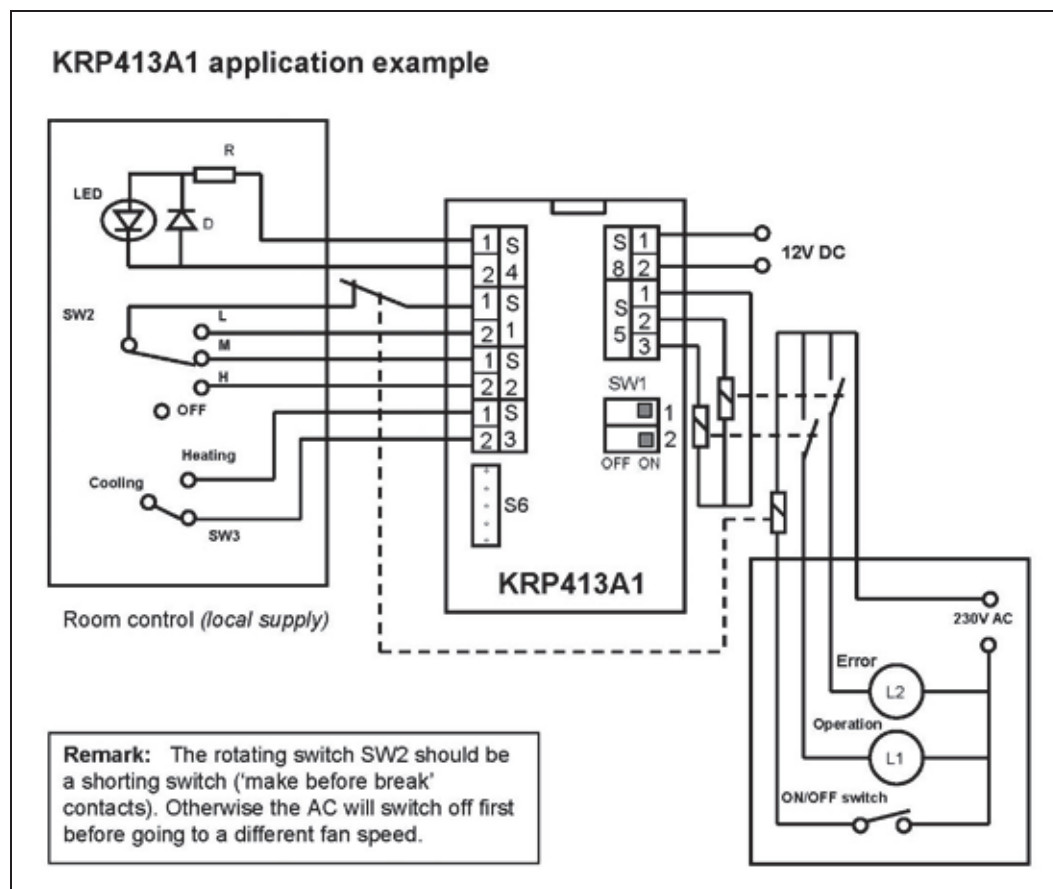
Features of the PCB (contact inputs):

ON/OFF control

FAN SPEED control (off-low-medium-high)

COOL/HEAT selection

'ERROR' output and 'OPERATION' output



3.2. Daikin SKY-AIR indoor units

A SKY-AIR system is specially made for larger spaces where 1 outdoor unit is connected to several indoor units and where the indoor units always work together ON/OFF.

The indoor units are always installed in the same room (large living room, gym, an office, etc.) The SKY-AIR is needed for spaces, which are larger than 70m².

PCB's to use:

A. PCB ref. EKR-ORO:

only ON/OFF control possible

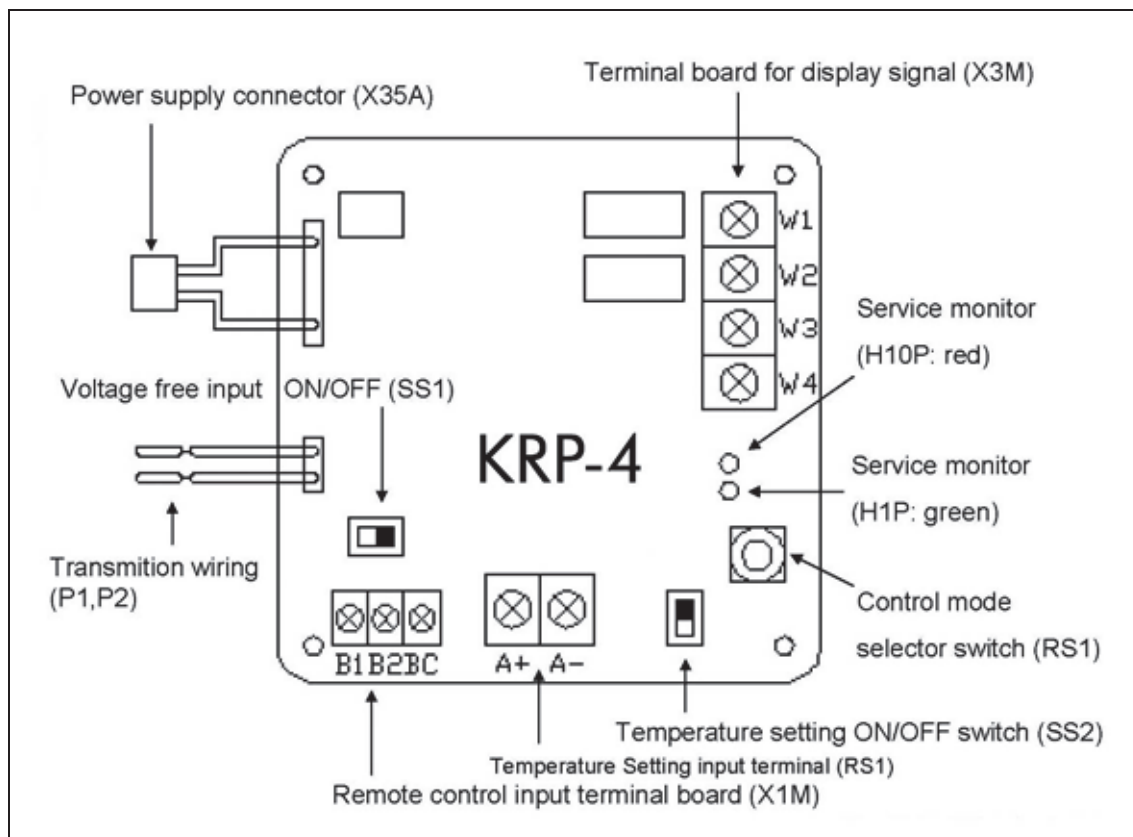
this PCB contains a connector and 2 pieces of wire

B. PCB ref. KRP-4:

-ON/OFF control

-T° setting by external potentiometer

-2 x output 'error' and 'operation'



4. DAIKIN Integration over IP/LAN

4.1. General

Integration over IP is done by using the TELETASK software license on a DoIP central unit (MICROS+ or NANOS), in combination with a Daikin 'iTouch' LAN controller. Up to 128 DAIKIN indoor units can be controlled.



4.2. What is needed on the DAIKIN side for the integration over IP?

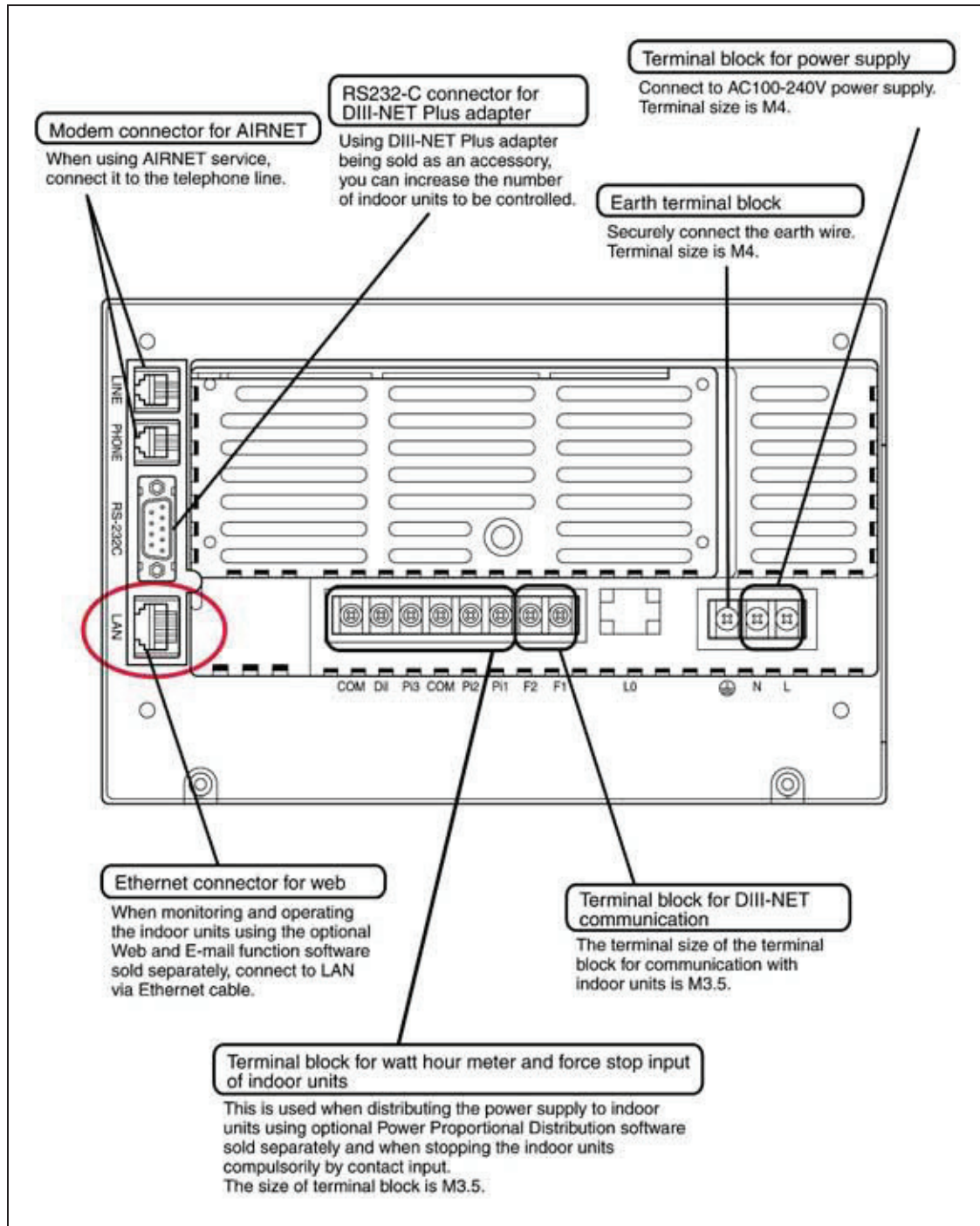
Beside the usual air conditioner components, the following DAIKIN components are required:

1. DAIKIN Intelligent Touch Controller – iTouch (DCS601C51)
2. DAIKIN Intelligent Touch Controller Web Software License Key (DCS004A51)
3. DAIKIN iTouch Controller Software Version 4.30.01R

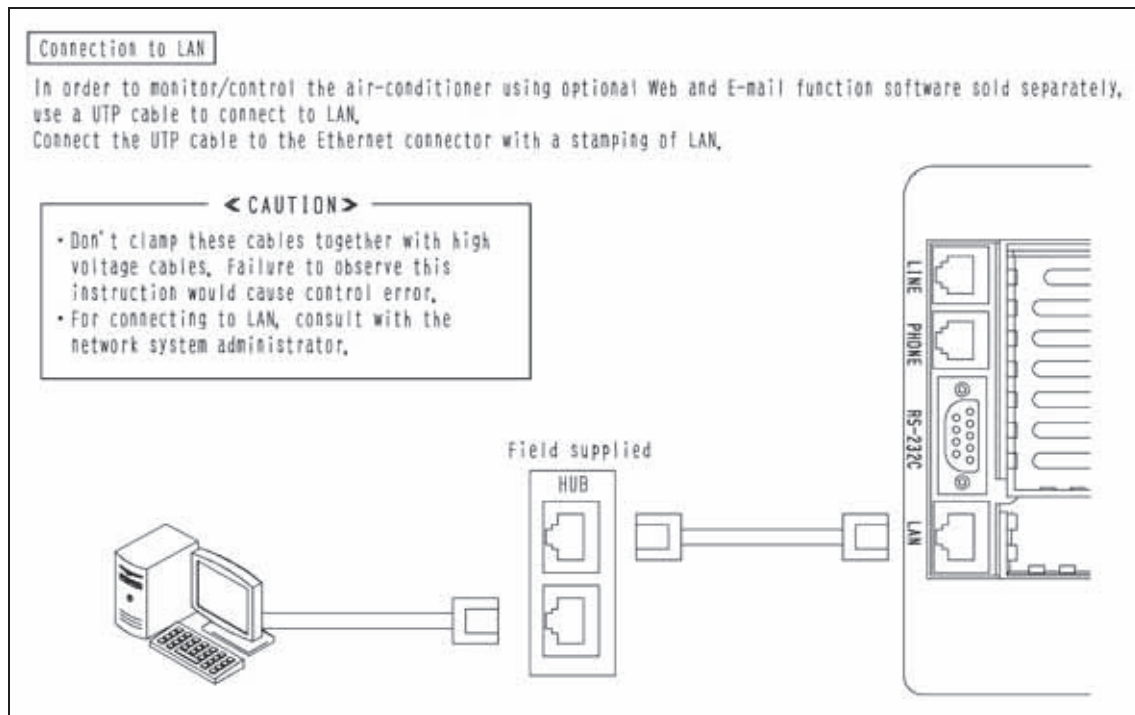
4.3. Supported DAIKIN Systems

- DAIKIN VRVII
- DAIKIN Cool/Heat VRVII
- DAIKIN VRVIII
- DAIKIN Cool/Heat VRVIII
- DAIKIN SKY AIR
- DAIKIN HRV (Heat Reclaim Ventilation)

iTouch-Controller connectors on the back



iTouch-Controller LAN Connection



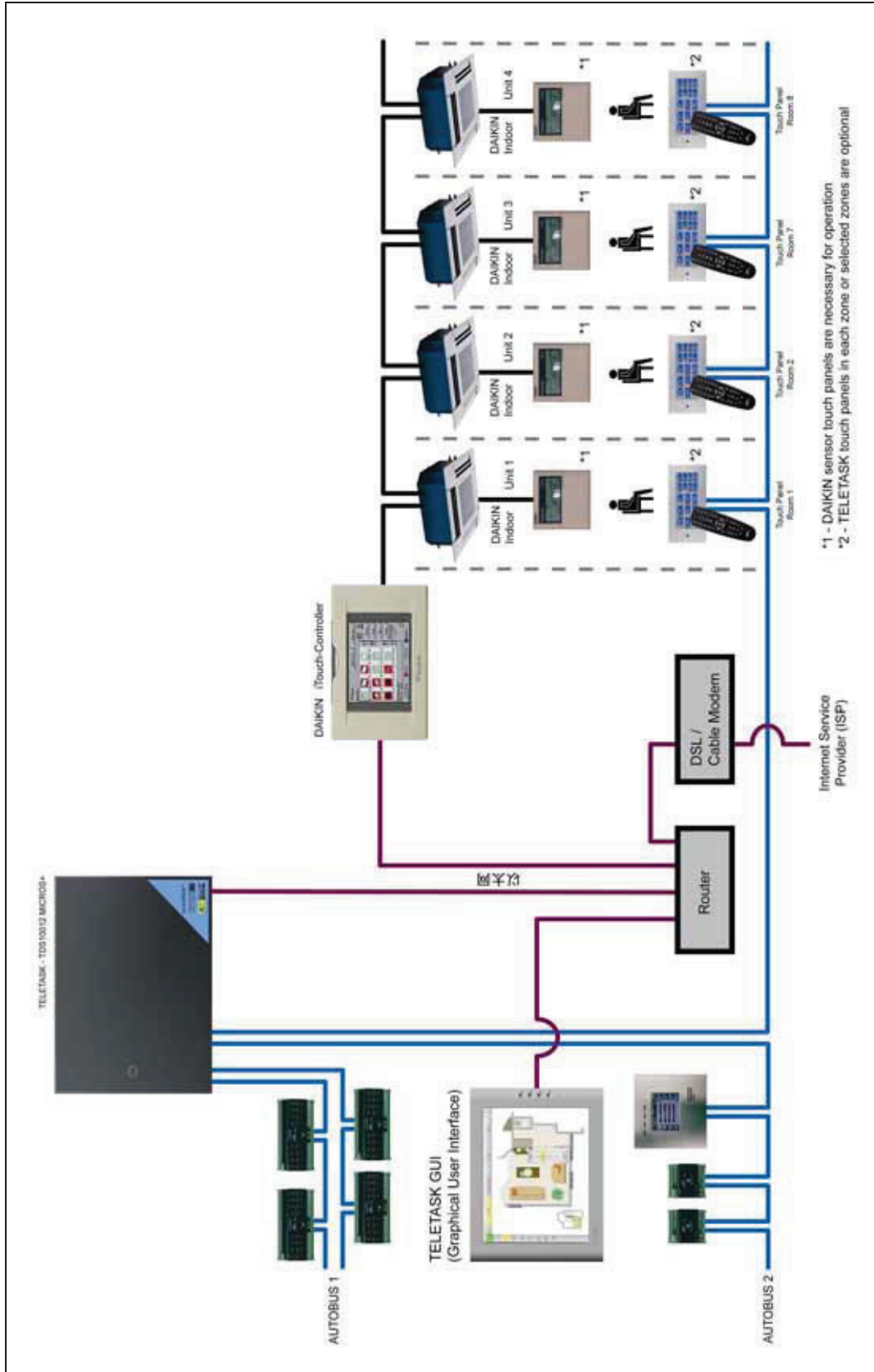
4.4. For your information-different DAIKIN Systems

1. When you want to couple a SPLIT, TWIN and double-TWIN system to the iTouch controller, you need an interface PCB (Daikin ref KRP-928 A2S) to be plugged in to each Master indoor unit. This PCB is not necessary for slave units, unless a MULTI-SPLIT outdoor unit is used. In such case you need a PCB ref. KRP-928A2S for each indoor unit. These are to be connected with the Daikin iTouch unit. The iTouch unit is connected with the TELETASK central unit over the LAN.

Remark: You can only connect one iTouch unit per TELETASK central unit. In exceptional cases (large projects) the Daikin systems can be separated from each other and use more iTouch units. With every iTouch unit you need one DoIP central unit as well.

2. When you want to couple a SKY-AIR system to TELETASK, you need an interface PCB (ref DTL-112), and the standard wired remote control BRCxx for each indoor unit. These can be connected through the Daikin bus connection with the Daikin iTouch unit, which can be connected with the TELETASK central unit over the LAN.

4.5. TELETASK Domotic System and DAIKIN Aircos System Overview



4.6. Prosoft Suite DAIKIN License Setup

All software settings, within the DAIKIN Air conditioner system, have to be done by a DAIKIN specialist. In case of a system failure of the TELETASK Domotics System, the DAIKIN air conditioner system will work fully independent from TELETASK.

5. How to obtain and install the activation code (file)

If you have purchased a TDS-DAIKIN License you will receive, with the package you obtained, a printed "License Code" document. Now complete this document with the serial number of your central unit and your E-mail address. Fax or E-mail this document to TELETASK (see at the bottom of the document).

TELETASK will answer (by E-mail only) with an attached activation file. Save this file somewhere on the hard disk of your computer (and make a backup on CD).

You are now ready to activate your License:

Start PROSOFT Suite

Open your nbt file in which you want the Daikin license to be run (or start with a new nbt)

Go to the "Extra" menu, select "Licenses" and choose "Import activation file". Select the file on your pc which you received from TELETASK and click "open" + "OK"

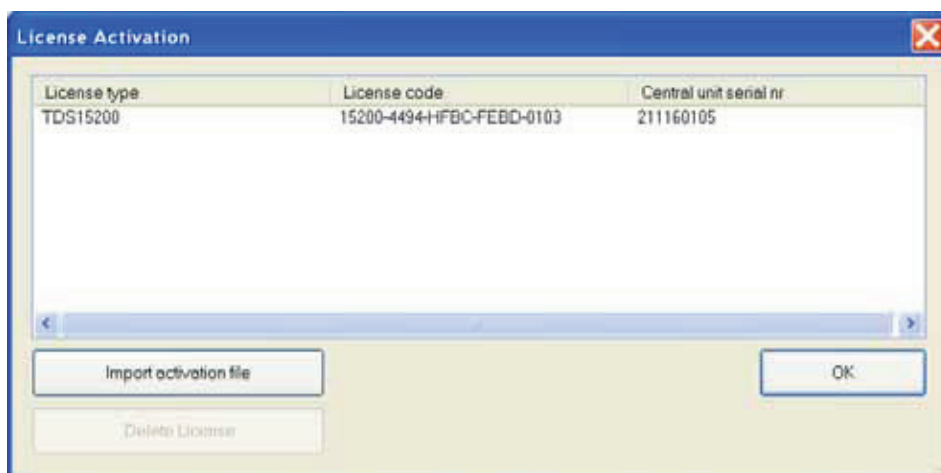
Save the .nbt file for further usage (if needed, repeat the previous steps with any file for as long as this file is to be used on the same central unit).

Transmit your .nbt file to the central unit

Now the DAIKIN interfacing will work.

In order to make the TELETASK-DAIKIN Air Conditioner License work, in PROSOFT Suite 3.00, under the menu "EXTRA" and submenu "LICENSES", the correct License activation file has to be imported. This activation file will later be stored within the central unit.

The DAIKIN license activation file is given by TELETASK, upon the purchase of the related DAIKIN central Air Conditioner control license.



6. Configuring the DAIKIN functionalities

To add a DAIKIN interface to your TELETASK system, follow these steps:

In PROSOFT Suite, go to the menu "Edit", "Inputs"

Choose "New", "Sensor or Heat/Cool Interface"

Select "DAIKIN interface" from the list of interfaces

Enter the correct IP address and IP port number of the Daikin iTouch unit

Add all the indoor units as used in the DAIKIN iTouch unit and give each zone the correct DAIKIN zone number and name (we advise to use the same names in iTouch and PROSOFT Suite).

Also on this screen, enter the presets for "Day", "Night" and "Standby"

Save your .nbt file

Transmit the file to your central unit

Define Interface function

Interface data

Name: DAIKIN interface

Central Unit: A: MICROS+ Central Unit

IP Address: 192.168.0.115

Port Nr.: 80

Interface type:

TDS15200: DAIKIN interface

- 1:1-00 Dining Room
- 1:1-01 Living Room
- 1:1-02 Master Bedroom

Sensor 5

Sensor Definition:

Sensor Type: Daikin sensor

Sensor Name: Master Bedroom

Properties

Daikin zone Nr.: 1:1-02

Day Temperature: 20.0 °C At cooling: 23°C

Standby Preset: 2.5 °C = 17.5°C At cooling: 25.5°C

Night Temperature: 5.0 °C No Cooling

Add Delete OK Cancel